

Double Action Ankle Joint



Otto Bock[®]

QUALITY FOR LIFE

Double Action Ankle Joint



We've made modular more modular

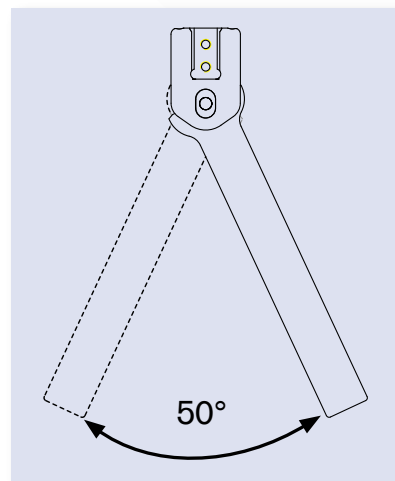
Otto Bock modular joints give you flexibility to meet your patients' needs while saving you time and effort. With preassembled joints, changing joint heads is labor intensive. And, unlike other modular systems, our joints are made with screws that can easily be replaced, eliminating drilling and replacement rivets. Our heavy-duty, stainless steel construction provides a perfect solution for long-term uses and for heavier patients.

Introducing the Double Action Ankle Joint

Our new Double Action Ankle Joint gives you multiple fitting options for your patients. And, it can easily be modified to meet their changing needs. Like other double action ankle joints, it offers both plantar flexion and dorsal flexion control. But, with Otto Bock's modular joint, you can quickly make adjustments or change out a joint as needed. Flexible yet strong, it's made of durable, corrosion-resistant stainless steel.

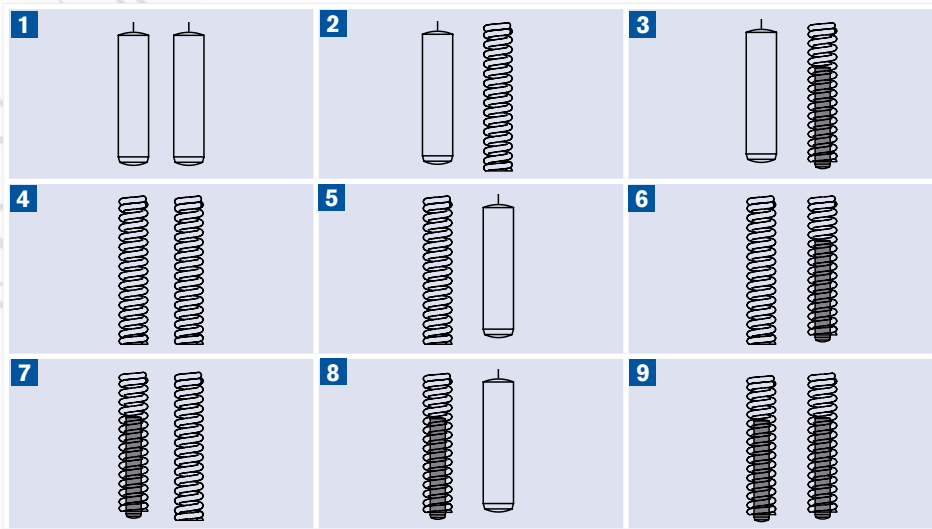
Flexibility all in one package

The Double Action Ankle Joint is fully adjustable with a full 50° range of motion. You can meet the needs of your patients with the springs, stops or spring stops included with the joint. Fabrication is easy because you don't need to grind the head of the foot stirrup. And, because we place the upright insertion channel on the inside of the joint, you can achieve a closer bending profile.

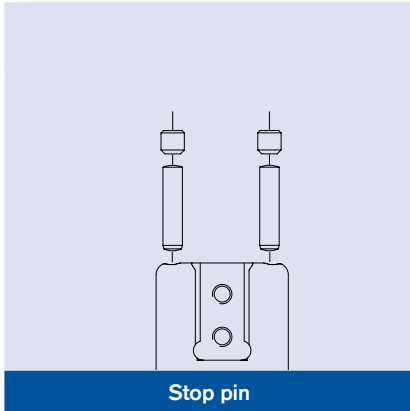


Nine adjustment options

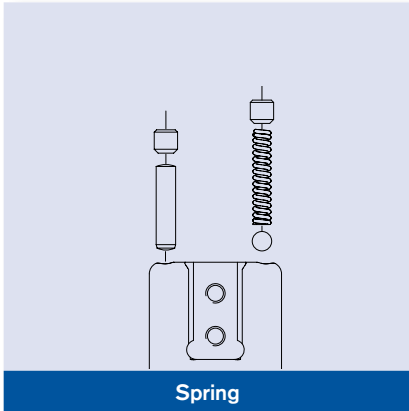
You'll meet specific patient requirements with nine different functional variations by combining springs, stops and spring stops in the anterior or posterior joint channel.



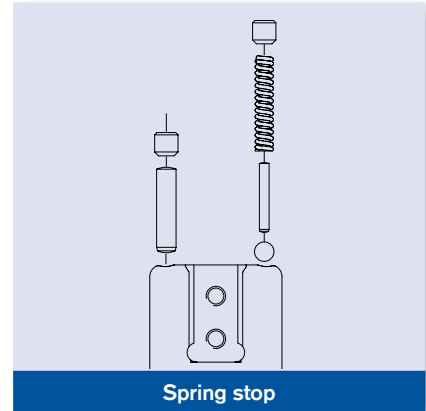
The stop pin can be combined with ...



Limitation of motion
(e.g. ICP or Spina Bifida)

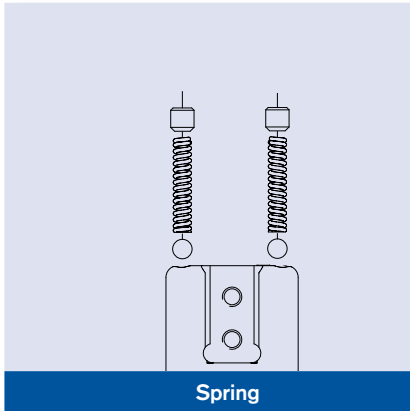


Support of dorsal extension (e.g. weakness of the lower leg muscles, prevention of hyperextension of the knee joint, energy return at toe-off)

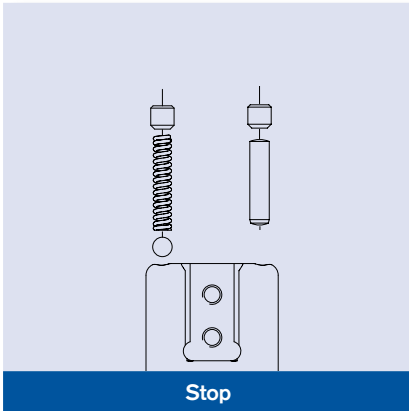


Indication similar to 2., but with additional adjustable dorsal stop

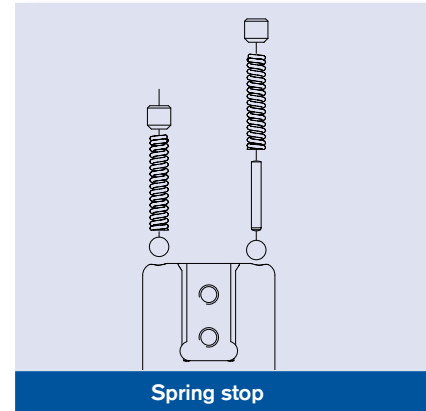
The spring can be combined with ...



Dorsal and plantar support (e.g. in case of weakness of the lower leg muscles)

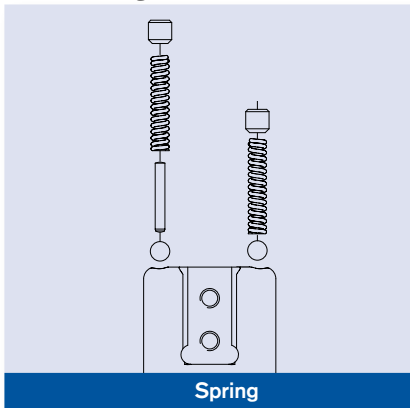


Dorsiflexion-assist with adjustable dorsal stop (e.g. peroneal paralysis requiring or not requiring knee joint protection)

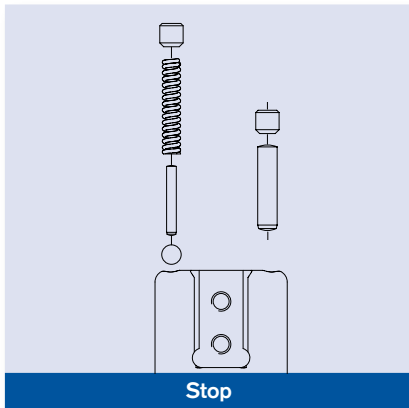


Dorsal and plantar support with adjustable dorsal stop (e.g. pareses of the lower leg muscles)

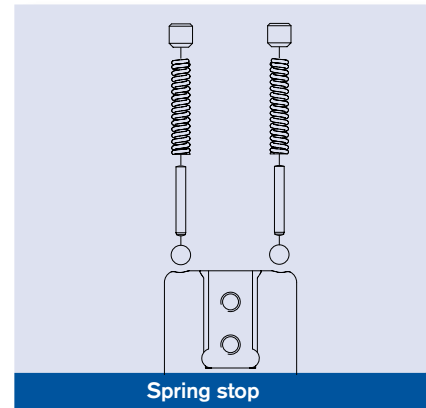
The spring stop can be combined with ...



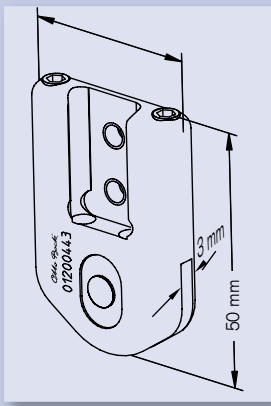
Dorsal and plantar support, additionally with adjustable plantar stop (e.g. weakness of the lower leg muscles with tendency to hyperextension of the knee joint)



Dorsiflexion-assist with plantar and dorsal stop adjustment (e.g. peroneal paralysis with hyperextension of the knee joint)



Dorsal and plantar support with adjustable dorsal and plantar stops, for restricted range of motion to protect the knee joint (e.g. pareses of the lower leg muscles)



Specifications

The modular Double Action Ankle Joint 17B66 comes in pairs. This set includes springs, stops and spring stops (four of each). It is available in two different bar widths: 16 mm and 20 mm. Only the insertion widths vary with all other dimensions being identical.

Features and benefits

- Modular for flexibility in design
- Fully adjustable to meet changing patient requirements
- Nine different functional variations are possible
- Made of durable, corrosion-resistant stainless steel
- Closer bending profile is possible because the upright insertion channel is located on the inside of the joint
- Universally usable for the left and right side

The foot stirrups ...



17B113

Short foot stirrup for thermoplastic



17B114

Forked foot stirrup for lamination



17B115

Shoe stirrup for 17F35=L/R150 caliper plate



17B116

Full shoe stirrup available from 180 to 300 mm in increments of 20 mm

Combination possibilities with the Modular System

H

17H32, 17H33, 17H34

K

17B26, 17B47, 17B3, 17B43, 17B46, 17B71, 17B36, 17B48, 17B95, 17B96, 17B33, 17B91, 17B23, 17B45, 17B92, 17B20, 17B21, 17B42, 17B44

Accessories

17Y32, 17Y35

AFO

Aluminum
Set: 17B39 regular
17B41 extra long
Upper: 17B6
Lower: 17B7

Aluminum Rounded
Set: 17B85
Upper: 17B88
Lower: 17B89

Stainless Steel
Set: 17B38 regular
17B40 extra long
Upper: 17B4
Lower: 17B5

Stainless Steel Rounded
Set: 17B84
Upper: 17B86
Lower: 17B87

For Lamination
17Y128, 17Y129

Special Epoxy and Hardener for Insertion of Uprights in Joint Heads
Kit: 636W28
Epoxy: 636W18
Hardener: 636W19

Upright Drilling Template
702B9

Replacement Screws
17Y97

A

17B66, 17B113, 17B114, 17F35, 17B115, 17B116

Otto Bock®

QUALITY FOR LIFE