

Kimba® Spring Spare Parts Manual



Otto Bock®

QUALITY FOR LIFE

Table of Contents

Headrests

Contoured	2
Headrest Hardware Kit	2, 3
Fixed or Adjustable	3
Headrest Hardware Attachment Kit	4

Seat Components

Base Seat Kit	4
Base Pan	5
Cushion Pan	5
Back Pan	6
Back Extension	6
Extension Locking Knob Kit	6, 11
Seat Cushion	7
Back Cushion	7

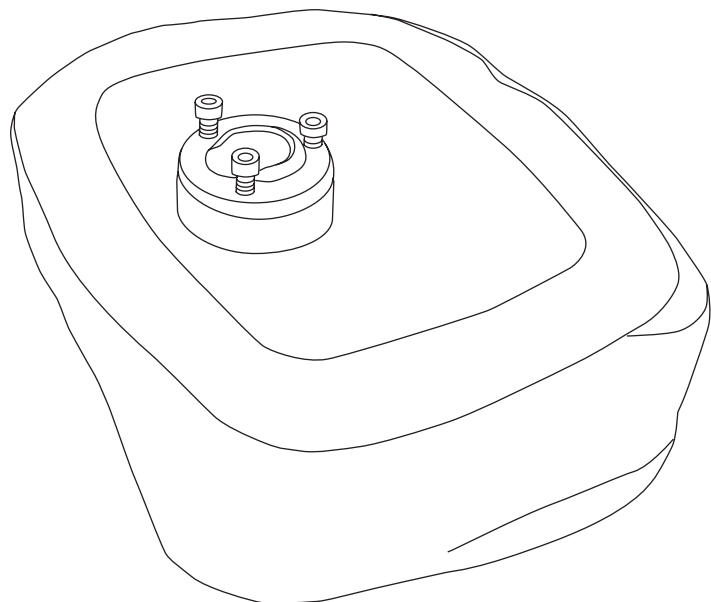
Armrests

Armrests	8
Swing Away Laterals	9
Fixed Laterals	9
Attachment Hardware Free Knob Kit	9

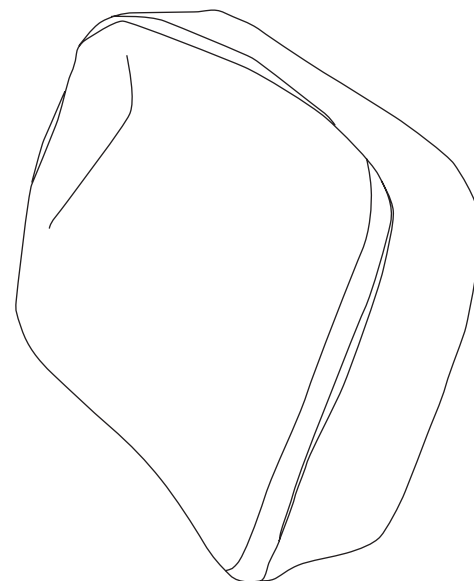
Stroller Components

Recline Mechanism	10
Pelvic Belt	10
Sun Visor Brackets	11
Knee Angle	12
Footrest	12
Pushbars	13
Anterior Frame	14
Posterior Frame	14
Seat Adapter	15
Guide Lever	15
Kimba Spring Front Wheel	16
Wheel Lock	17
Kimba Spring Back Wheel	18
Kimba Home Underframe	18
Kimba Twin Tandem	19

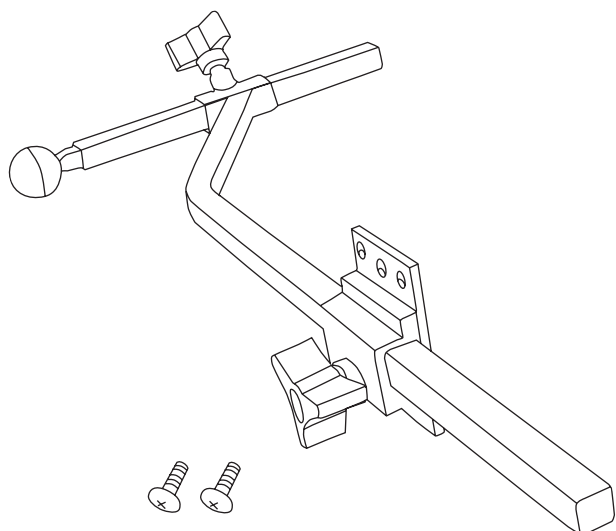
Contoured Headrest



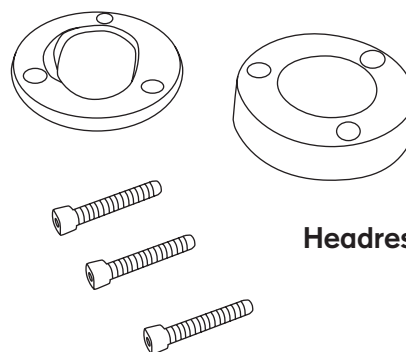
**Headrest with Hardware Kit
Posterior View**



Headrest Front View



Headrest Hardware Attachment Kit

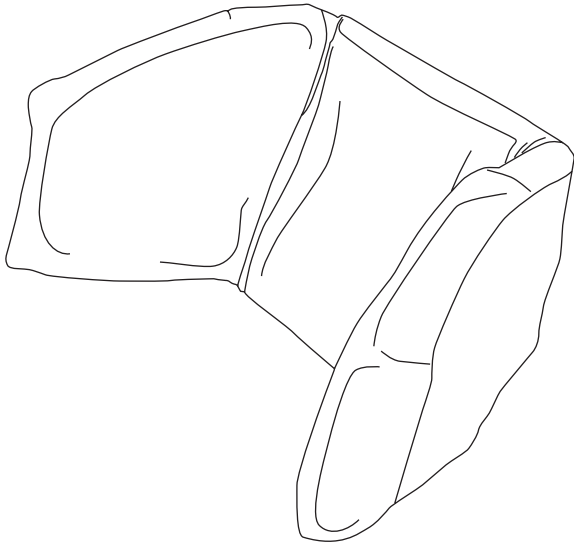


Headrest Hardware Kit

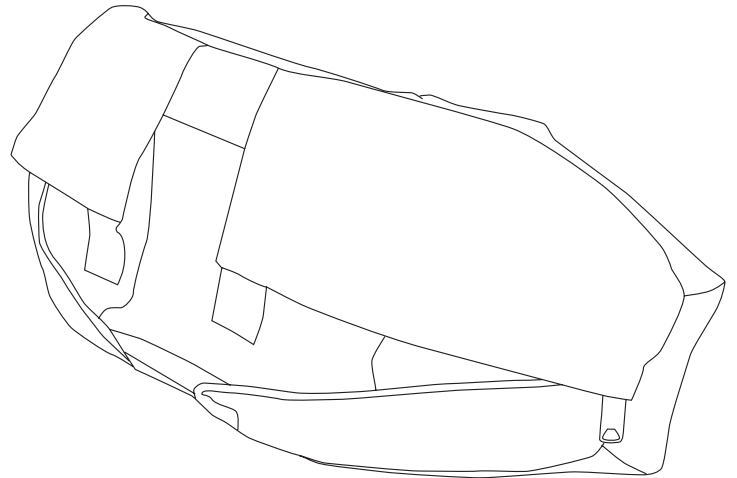
Contoured Headrest

Article Number*	Description
PS00A=H1-XXX	Contoured headrest, complete, size 1
PS00A=H2-XXX	Contoured headrest, complete, size 2
PS10R=HCS-XXX	Contoured headrest, cover only, size 1
PS20R=HCS-XXX	Contoured headrest, cover only, size 2
PS00A=HHK	Headrest hardware kit
PS00A=HH-SAO	Headrest hardware, single axis offset

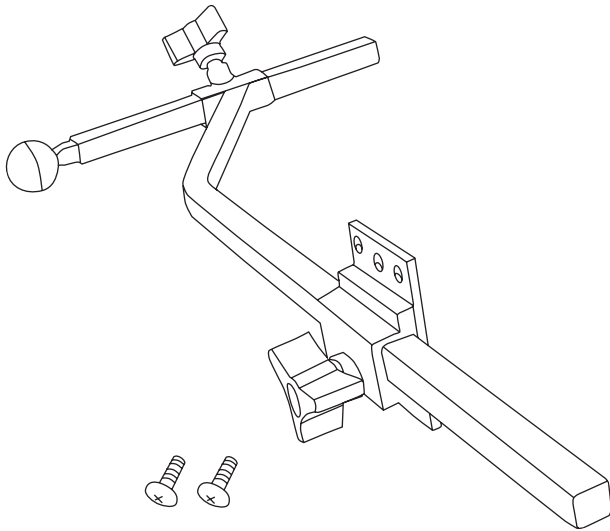
* XXX indicates color choice CHK = checkers, PT = paint, LMB = little man blue



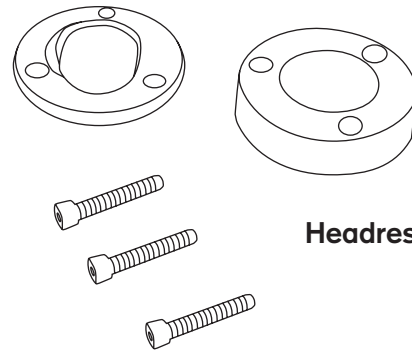
**Adjustable Winged Headrest
Anterior View**



**Adjustable Winged Headrest
Posterior View**



Headrest Hardware Attachment Kit

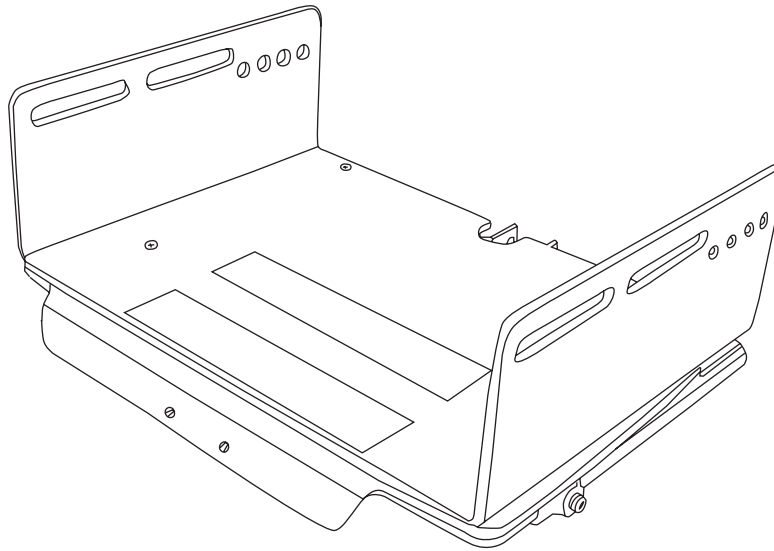


Headrest Hardware Kit

Fixed or Adjustable Winged Headrest

Article Number*	Description
PS00A=HA-XXX	Headrest, adjustable, size 1 (blue)
PS00A=HA2-XXX	Headrest, adjustable, size 2 (blue)
PS10R=HCW-XXX	Replacement headrest, winged, cover only, size 1
PS20R=HCW-XXX	Replacement headrest, winged, cover only, size 2
PS00A=HHK	Headrest hardware kit
PS00A=HH-SAO	Headrest hardware, single axis offset

* XXX indicates color choice; CHK = checkers, PT = paint, LMB = little man blue



**Base Seat Kit
Front View**

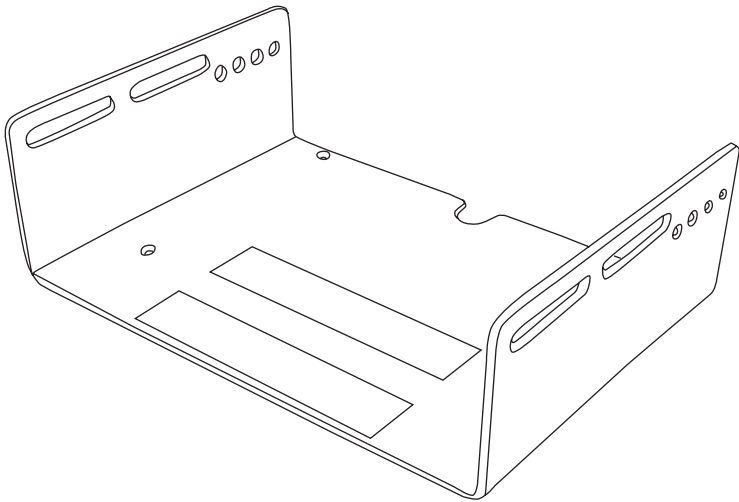
Base Seat Kit

Article Number*	Description
PS10A=BSHK	Seat and back assembly kit, size 1
PS20A=BSHK	Seat and back assembly kit, size 2
PS10R=BE	Replacement base extension, size 1
PS20R=BE	Replacement base extension, size 2

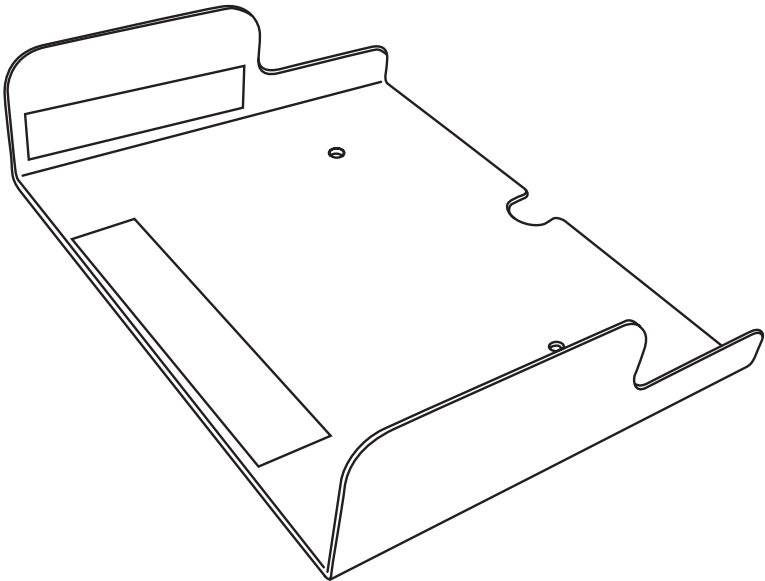
Use the Base Seat Kit when:

- 1) When the seat adapter is not functioning
- 2) When the ABS plastic seat pieces are cracked

Purchasing this item as a preassembled kit greatly reduces labor.



Base Pan – Top View



Cushion Pan

Base Pan

Article Number*	Description
PS10R=BP	Replacement base pan, size 1
PS20R=BP	Replacement base pan, size 2

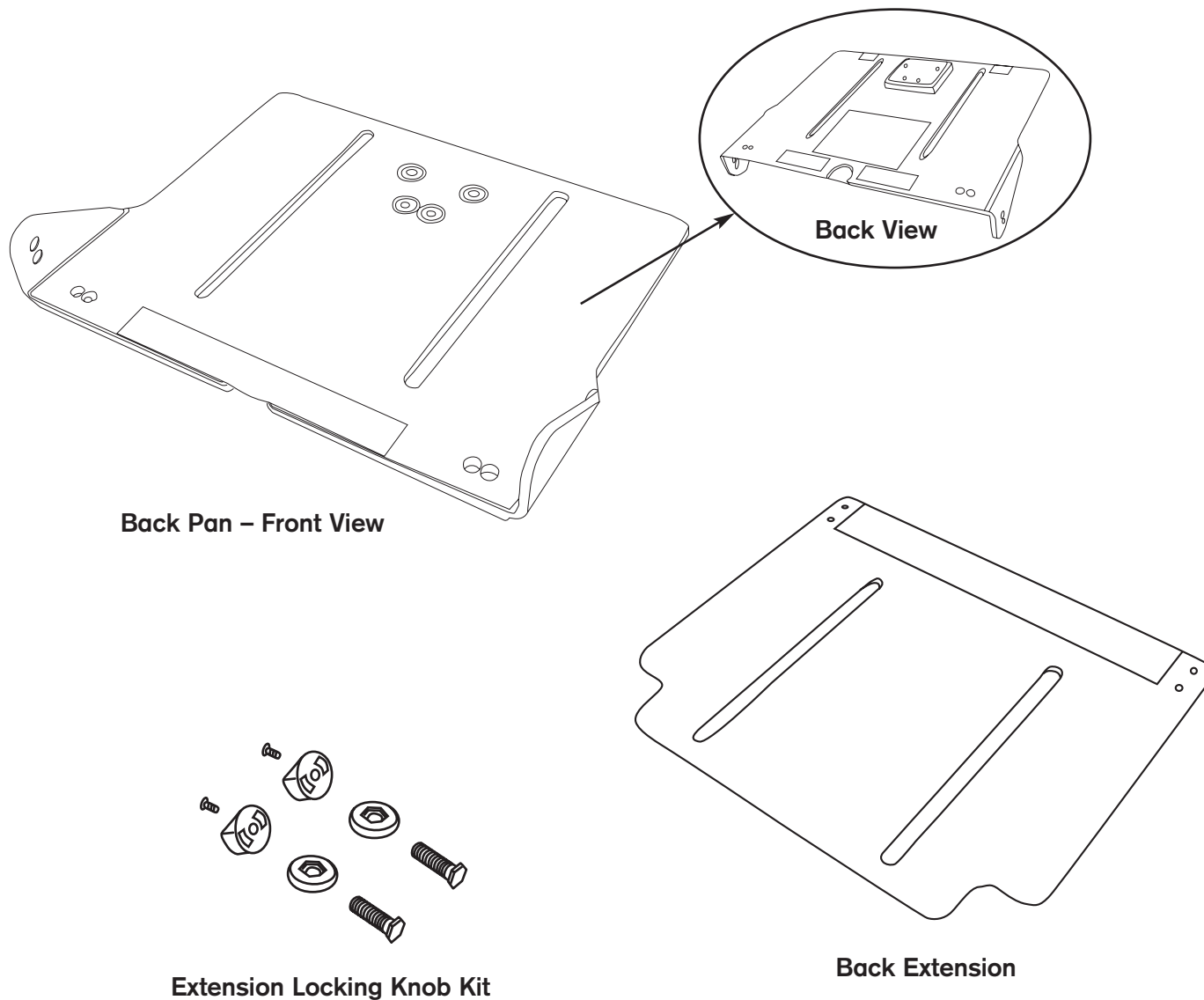
Purchase this item when the upper U-shaped portion of the seat base assembly kit is cracked.
Hardware for Base Pan may be used from original Base Pan or ordered separately.

Cushion Pan

Article Number*	Description
PS10R=CP	Replacement cushion pan, size 1
PS20R=CP	Replacement cushion pan, size 2

Cushion pan is velcro-ed into the base pan. The seat cushion sits inside the cushion pan.

Back Pan and Back Extension



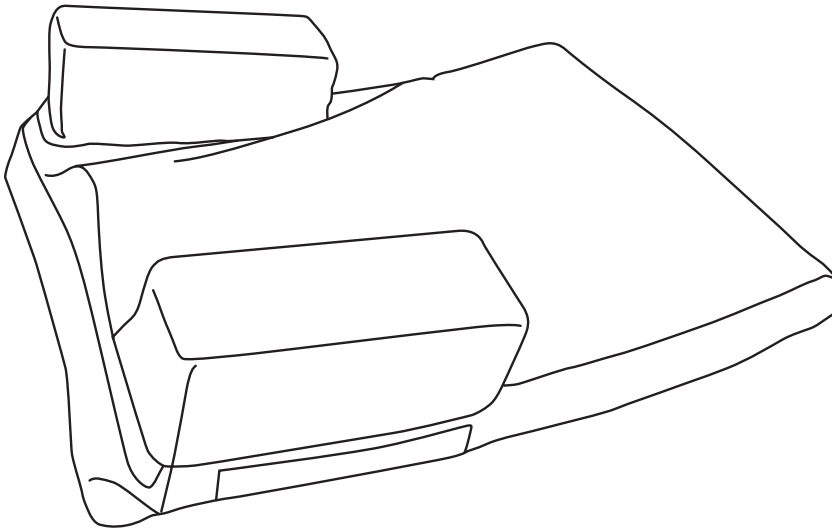
Back Pan

Article Number*	Description
PS10R=BKP	Replacement back pan, size 1
PS20R=BKP	Replacement back pan, size 2
PS00A=SBHK	Seat, back, back pan extension locking knob kit

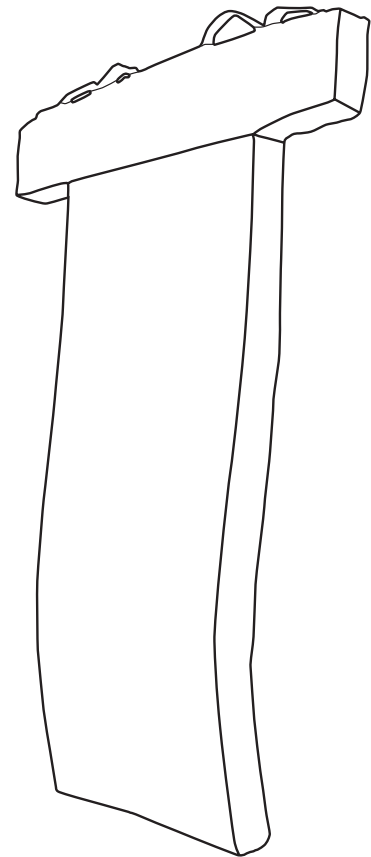
Use this kit to attach the back pan to the base pan or to attach the back extension to the back pan.

Back Extension

Article Number*	Description
PS10R=BKE	Replacement back extension, size 1
PS20R=BKE	Replacement back extension, size 2



Seat Cushion



Back Cushion

Seat Cushion

Article Number*	Description
PS10R=US-XXX	Replacement seat, cover only, size 1
PS20R=US-XXX	Replacement seat, cover only, size 2
PS10R=FS	Replacement seat, foam only, size 1
PS20R=FS	Replacement seat, foam only, size 2

If you need to order a replacement seat pad, complete, you must order the cover and foam together. Order both numbers.

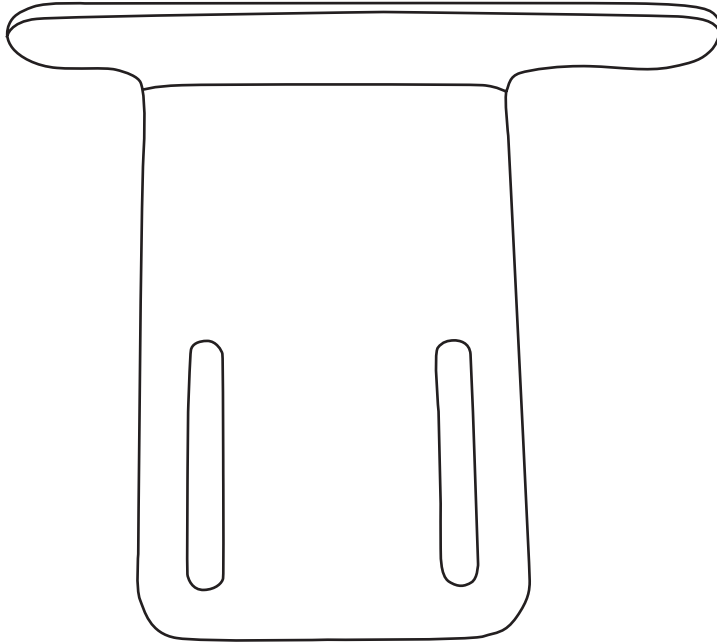
* XXX indicates color choice; CHK = checkers, PT = paint, LMB = little man blue

Back Cushion

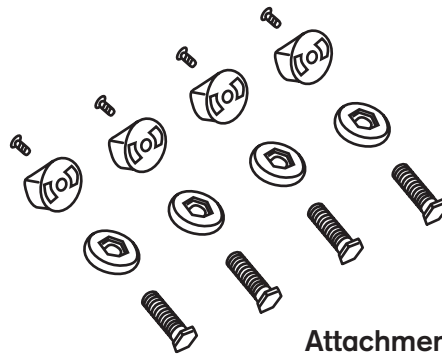
Article Number*	Description
PS10R=CC-XXX	Replacement back, cover only, size 1
PS20R=CC-XXX	Replacement back, cover only, size 2
PS10R=FB	Replacement back, foam only, size 1
PS20R=FB	Replacement back, foam only, size 2

If you need to order a replacement back pad, complete, you must order the cover and foam together. Order both numbers.

* XXX indicates color choice; CHK = checkers, PT = paint, LMB = little man blue



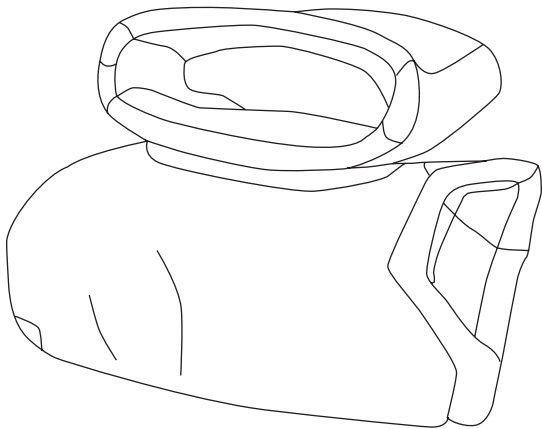
Armrest



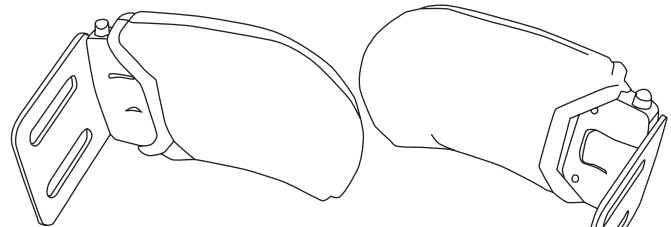
**Attachment Hardware
Free Knob Kit**

Armrest

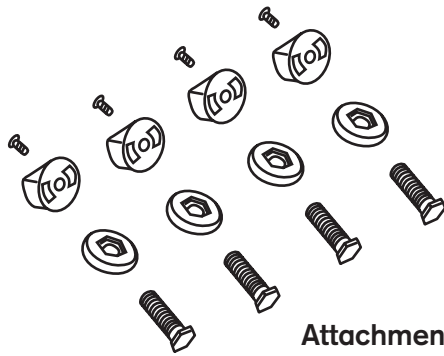
Article Number*	Description
PS10R=AR	Replacement armrest, right, size 1
PS20R=AR	Replacement armrest, right, size 2
PS10R=AL	Replacement armrest, left, size 1
PS20R=AL	Replacement armrest, left, size 2
PS00A-AR-B	Armrest pads - blue, pair
PS00A=ALHK	Free/Locking knob kit (sold separately)



Swing Away Lateral Pads



**Swing Away Lateral
(only sold in pairs)**



**Attachment Hardware
Free Knob Kit**

Swing Away Laterals

Article Number*	Description
PS00A=LS-B	Lateral curved swing-away, size 1 and 2, complete
PS00A=ALHK	Free/Locking knob kit (sold separately)
PS00A=SLC-B	Swing-away lateral cover with pads (blue)
PS10R=FL	Foam only, laterals

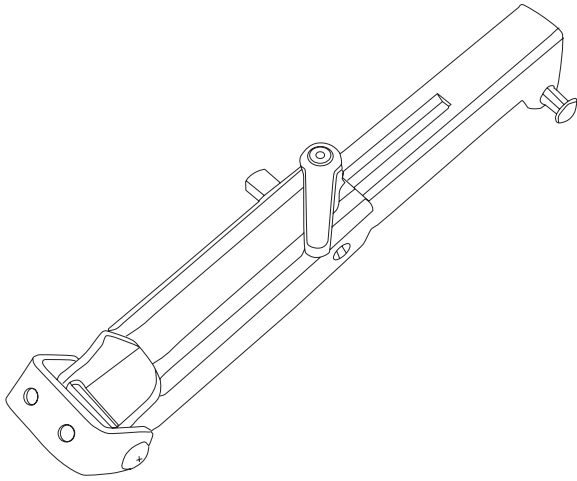
If you need to order a replacement seat pad, complete, you must order the cover and foam together. Order both numbers.

* XXX indicates color choice; CHK = checkers, PT = paint, LMB = little man blue

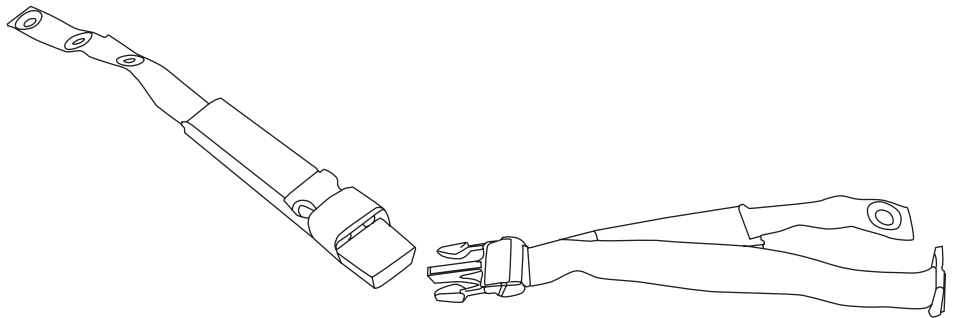
Fixed Laterals (not pictured)

Article Number*	Description
PS10R=LC-XXX	Replacement lateral cover, size 1 (including foam)
PS20R=LC-XXX	Replacement lateral cover, size 2 (including foam)
PS10A=L-XXX	Laterals, fixed angle, size 1 complete (pair)
PS20A=L-XXX	Laterals, fixed angle, size 2 complete (pair)

* XXX indicates color choice; CHK = checkers, PT = paint, LMB = little man blue



Recline Mechanism



Pelvic Belt

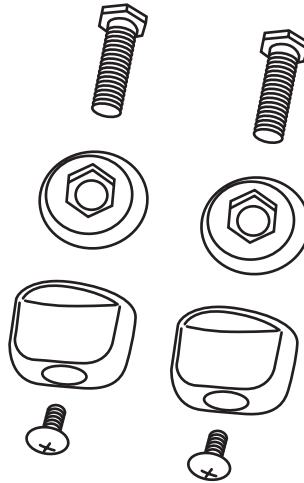
Recline Mechanism

Article Number*	Description
PS00A=BR	Recline mechanism, complete
PS00A=RLHK	Recline knob kit

Pelvic Belt

Article Number*	Description
PS00A=PB11B	Padded pelvic positioning belt, size 1 (blue)
PS00A=PB12B	Padded pelvic positioning belt, size 2 (blue)
PS00A=ALHK*	Free attaching knob kit (sold separately)

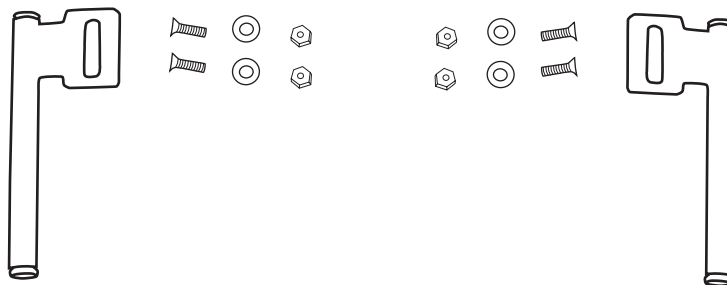
* Knob kit assembly is for attaching to the chair



Extension Locking Knob Kit

Extension Locking Knob Kit

Article Number*	Description
PS00A=SBHK	Seat back/back pan extension locking knob kit (use for seat back)
PS00A=ALHK	Free/Locking knob kit (use for armrests, pelvic belt, laterals)



Sun Visor Brackets

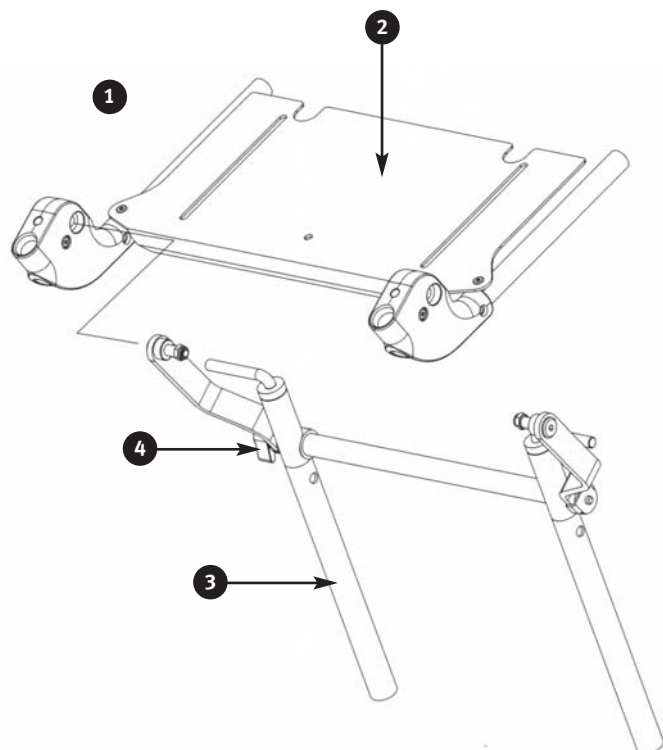
Sun Visor Brackets

Article Number*	Description
PS10A=VB**	Sun visor bracket, sz 1 (not pictured)
PS20A=VB**	Sun visor bracket, sz 2 (not pictured)
PS00R=VBKIT*	Visor bracket kit

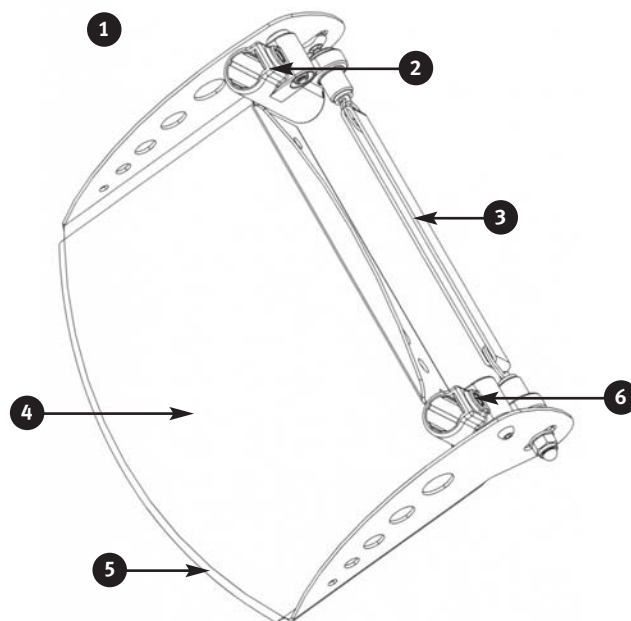
* for use with seats manufactured after October 2003

** for Kimbax sold prior to October 2003 (ex. Kimba Country, Star, TRS, PKS, Panda)

Knee Angle and Footrest



Knee Angle



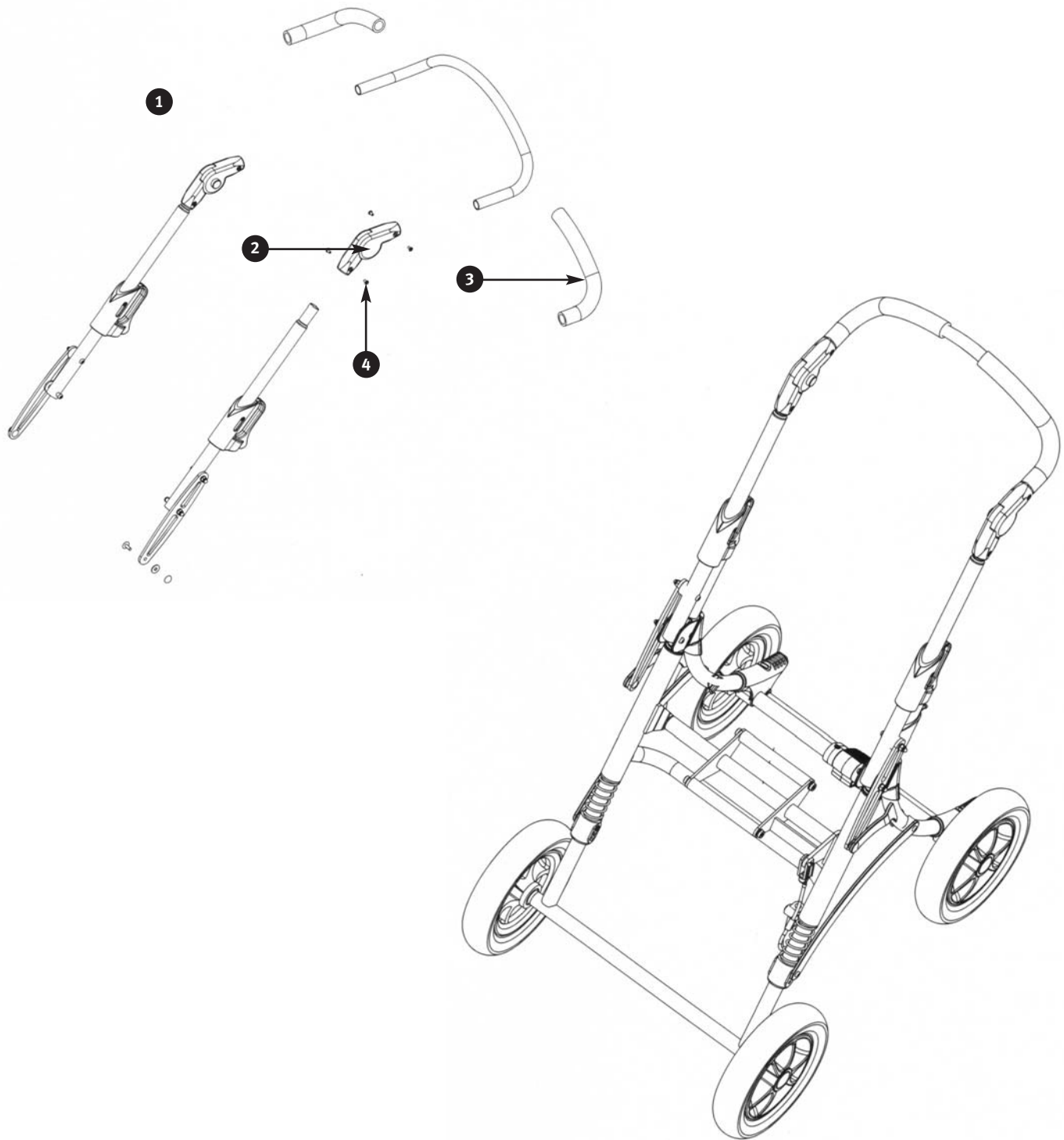
Footrest

Knee Angle

Item	Article Number*	Description
1	HR32902200-027E	Knee angle assembly, size 1
	HR32932200-027E	Knee angle assembly, size 2
2	HR32902270-027E	Seat adjuster, size 1
	HR32932270-027E	Seat adjuster, size 2
3	HR32902201-027E	Footrest receiver, size 1
	HR32932201-027E	Footrest receiver, size 2
4	HR11210600	Clamping lever M6

Footrest

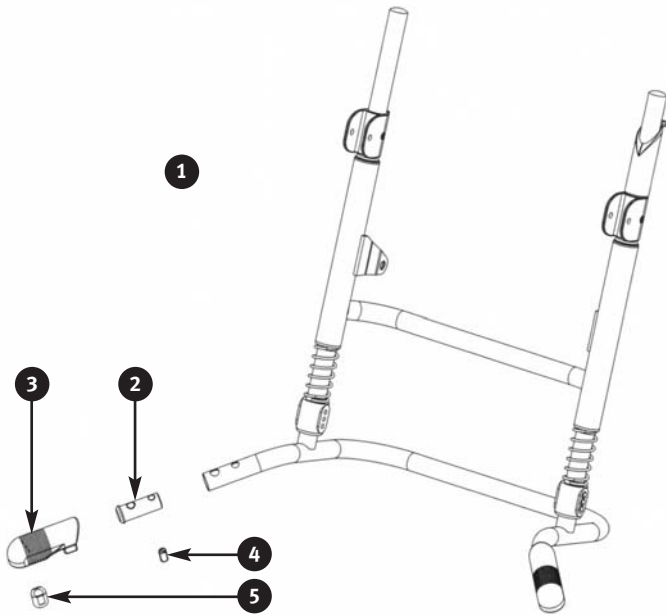
Item	Article Number*	Description
1	HR32902301-027	Footrest with angle adjustable and lockable flip-up footplate, size 1
1	HR32902301-027	Footrest with angle adjustable and lockable flip-up footplate, size 2
2	HR32902320E	Slide, complete
3	HR32902340E	Angle adjustment kit, incl. hook & loop strap, size 1
	HR32932340E	Angle adjustment kit, incl. hook & loop strap, size 2
4+5	HR32902310-027E	Footrest tray with protective edge band and screw accessories, size 1
	HR32932310-027E	Footrest tray with protective edge band and screw accessories, size 2
5	HR19000012	Protective edge band 8x5.5mm black, size 1
	HR19000012	Protective edge band 8x5.5mm black, size 2
6	HR10490052	Flange nut L galvanized M8 DIN1154



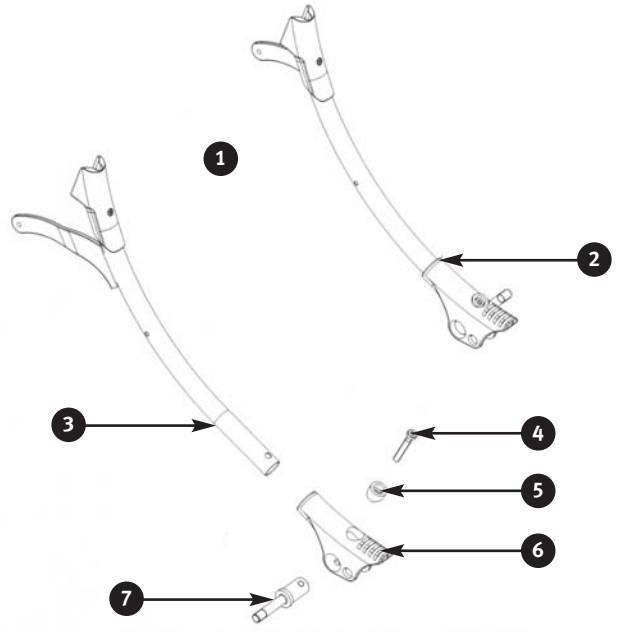
Pushbars

Item	Article Number*	Description
1	HR32901400-027E	Pushbar, complete, size 1
2	HR11190052	Ratchet joint
3	HR11290048	Pushbar, grip black d20x260
4	HR10640702	Blind rivet Alu/St black anodized F4x8 DIN7337

Anterior and Posterior Frames



Anterior Frame



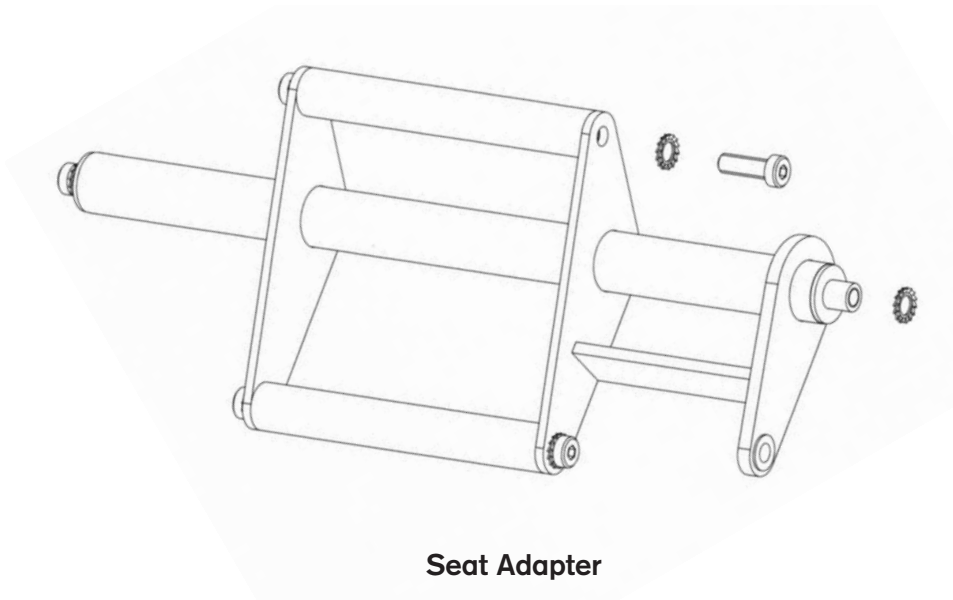
Posterior Frame

Anterior Frame

Item	Article Number*	Description
1	HR32911100-027E	Anterior frame, complete, size 1*
2	HR32911121	Bearing d25x60
3	HR32911120	Swivel lock housing PA
4	HR10360004	Spring thrust piece M10 self-securing
5	HR32911122	Spacer d20x20, black, galvanized
6	HR11410009	Lamellar stopple PE black SFL25x1-2.5

Posterior Frame

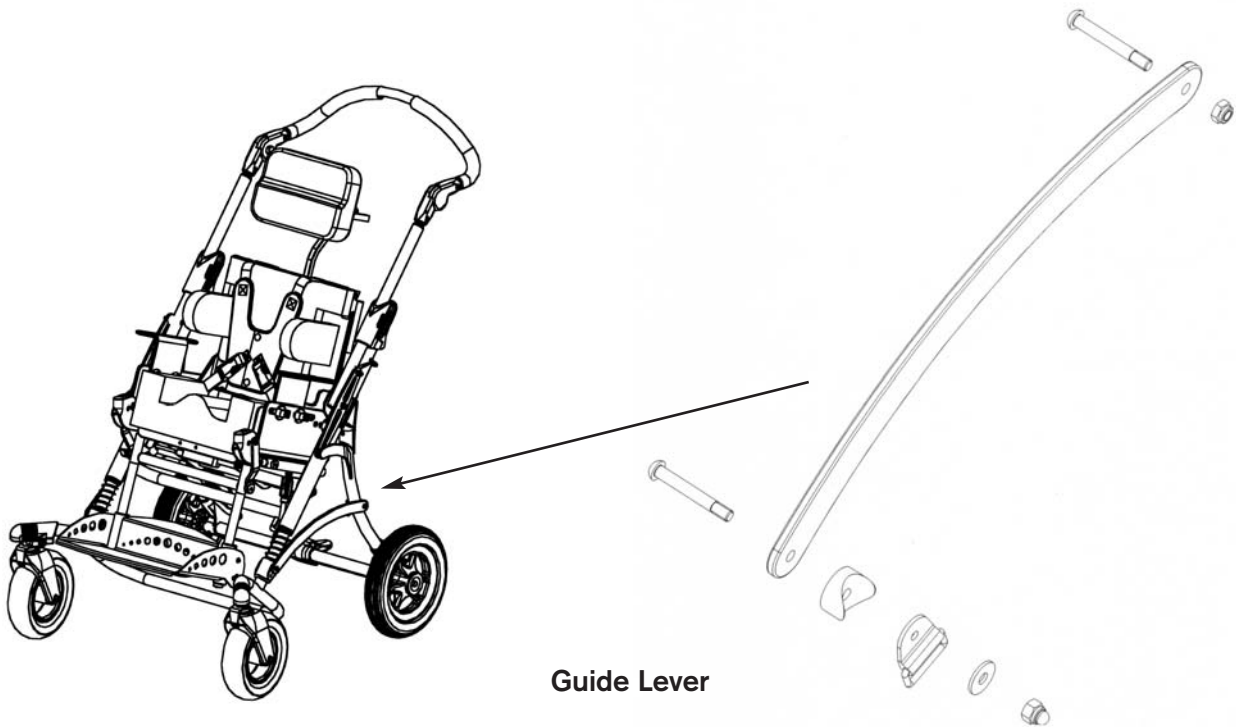
Item	Article Number*	Description
1	HR32901200-027E	Posterior frame, complete, without axle, size 1 + size 2
2	HR32901230-027E	Posterior frame, right, with profiled cap
3	HR32901210-027E	Posterior frame, left, with profiled cap
4	HR10215003	Allen head cap screw, galvanized, M8x55 DIN6912
5	HR11120054	Shim, nylon, black, crescent-shaped, for Allen head cap screw
6	HR32901216	Connector PA
7	HR32901222	Rear axle stub (for 1.5mm tube)



Seat Adapter

Seat Adapter (Allows seat to be attached to the frame)

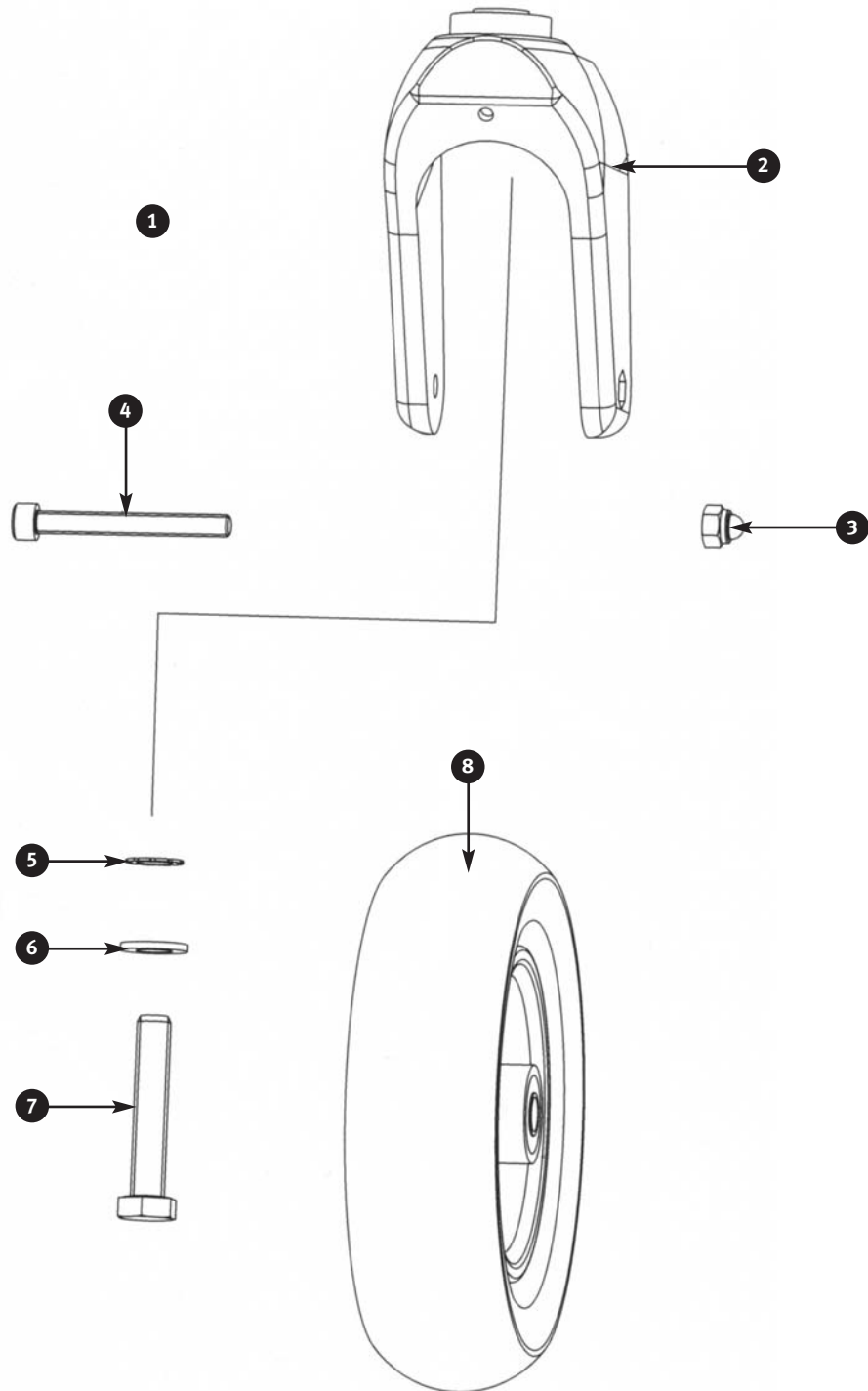
Article Number*	Description
HR32901700-027E	Seat adapter, complete, size 1
HR32931700-027E	Seat adapter, complete, size 2



Guide Lever

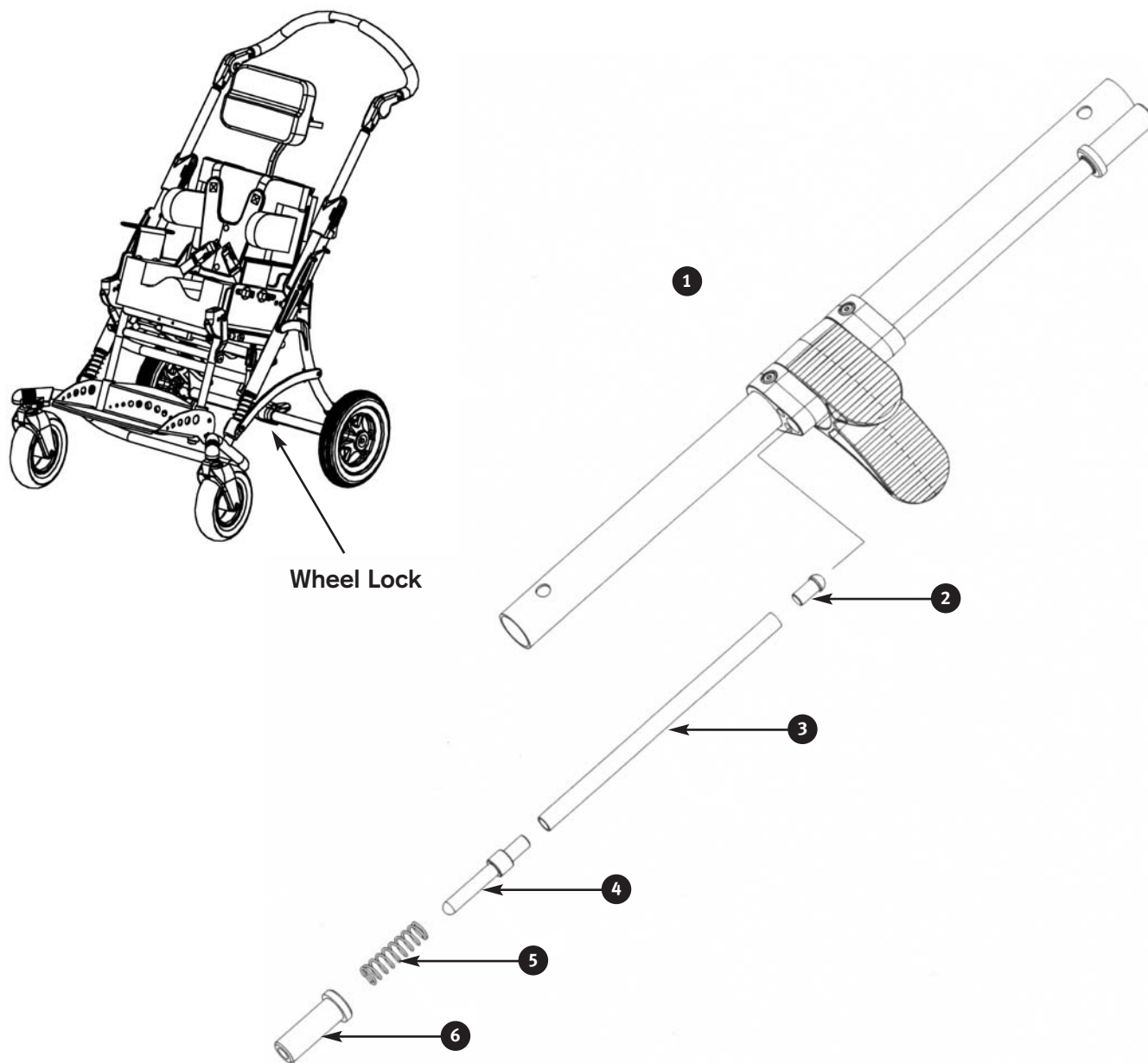
Guide Lever

Article Number*	Description
HR32901240-027E	Guide lever, complete



Kimba Spring Front Wheel, size 1 and 2

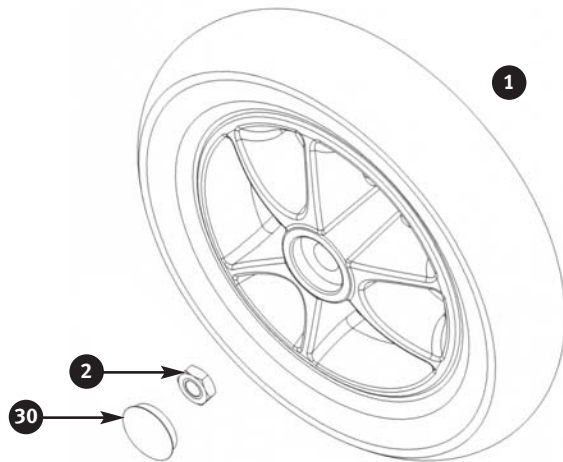
Item	Article Number*	Description
1	HR32911810	EVA wheel 180 with caster fork, complete
2,5,6,7	HR32911801E	Caster fork with screw accessories
3,4,8	HR12313068E	EVA wheel 180/45, complete



Wheel Lock

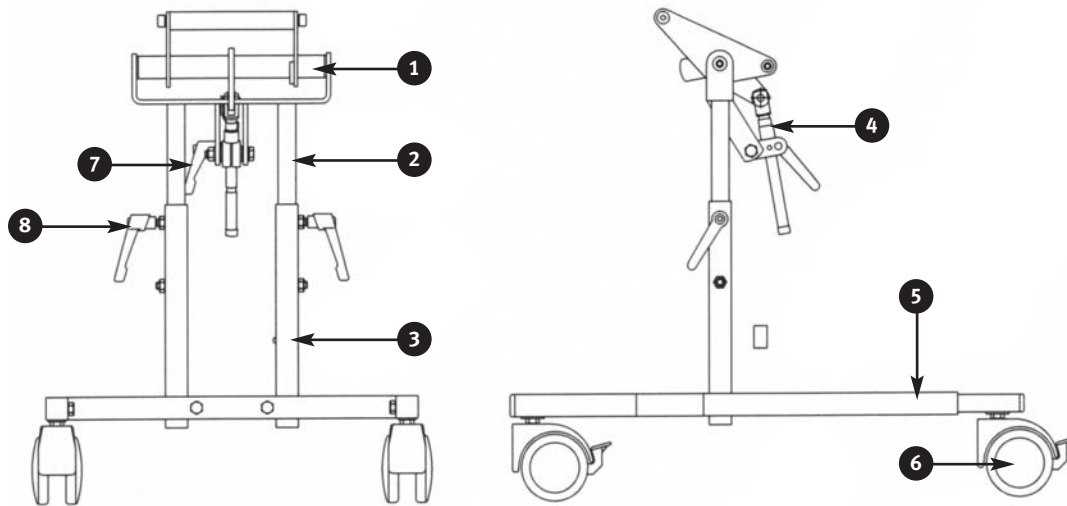
Item	Article Number*	Description
1	HR32901300-027E	Wheel lock with rear axle, complete, size 1
	HR32931300-027E	Wheel lock with rear axle, complete, size 2
2	HR32901312	Stopple D10x20 POM black
3	HR32901311-027	Wheel lock rod, size 1
	HR32931311-027	Wheel lock rod, size 2
4	HR32901313	Lock bar (wheel lock) d12x63 10S20
5	HR11340034	Compression spring 1.20/Ce11/46.7 D-180Q-03
6	HR32901315	Guide bush d20x45 POM black

Back Wheel and Home Underframe



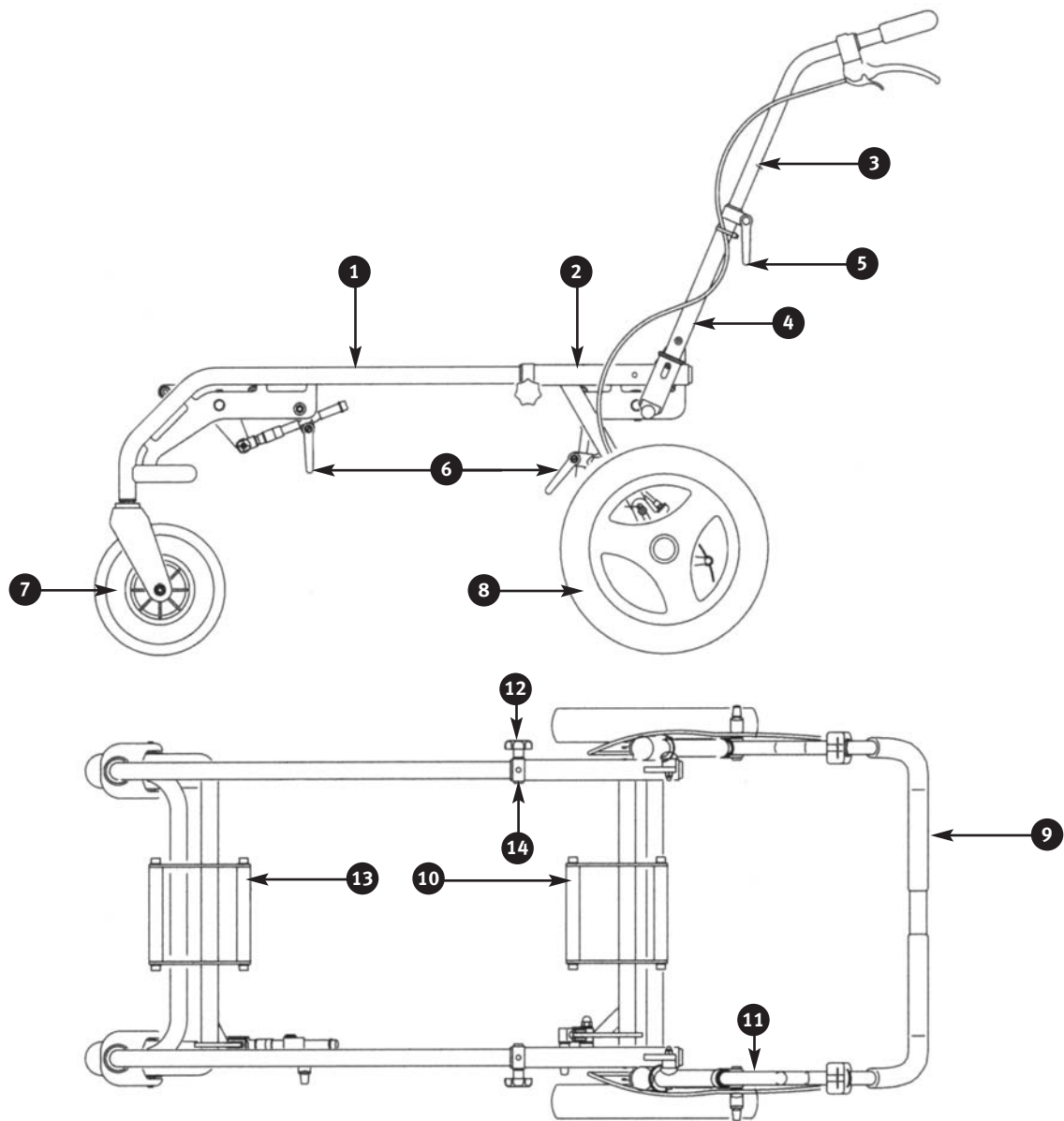
Kimba Spring Back Wheel

Item	Article Number*	Description
1	HR32901830	EVA wheel 250 with toothed wheel rim for wheel lock, complete
	HR32901840	Pneumatic wheel 250 with toothed wheel rim for wheel lock, complete
2	HR10490010	Hexagon nut, galvanized M12 Trelock DIN936
3	HR12890001	Hub cover PE black KN-S-32/12HO



Kimba Home Underframe

Item	Article Number*	Description
1	HR22331400E	Seat adapter, complete, size 1
	HR22431400E	Seat adapter, complete, size 2
2	HR22331300E	Insert, complete
3	HR22331200-xxxE	Receiver, complete
4	HR22331600E	Tilt adjustment mechanism, complete
5	HR2233110-xxxE	Base frame, complete
6	HR22321150	Caster O 75 with lock
	HR22321160	Caster O 125 with lock
7	HR11210825	Tilt Lever
8	HR11210815	Height Adjustment Lever
No Illus.	HR22339010	Set of stopples, screws, nuts, bushings



Kimba Twin Tandem, size 1 only

Item	Article Number*	Description
1	HR32551100-027E	Front frame, complete
2	HR32552300-027E	Back frame, complete
3	HR32551600E	Push Bar, complete
4	HR32551500-027E	Sliding handle admission, complete
5	HR11210800	Clamping lever pa6 black M8 inner thread
6	HR32551260	Tilt adjustment
7	HR32552100	Caster attachment pneumatic tire, complete
8	HR32041620	Pneumatic rear wheels with drum brake, complete
9	HR11290048	Push handle Black d 20x260
10	HR32551900-027E	Seat adapter (back)
11	HR11110020	Clamp bolt with nose galv M8x40
12	HR11220800	Star knob steel galv 40/M8 din 6336-K
13	HR32551200-027E	Seat adapter (front)

Otto Bock[®]

QUALITY FOR LIFE

USA: 800.328.4058 • Fax: 800.962.2549 • www.ottobockus.com
Canada: 800.665.3327 • Fax: 800.463.3659 • www.ottobock.ca

Kimba is a registered trademarks of Otto Bock HealthCare LP

All trademarks in this document are properties of their registered owners.
©2006 Otto Bock HealthCare LP. • Printed in the USA • 05080694.1 • 2/06